



INTAKE MANIFOLD GASKET (For Honda D16Y8 Engines) Catalog #15005 INSTALLATION INSTRUCTIONS

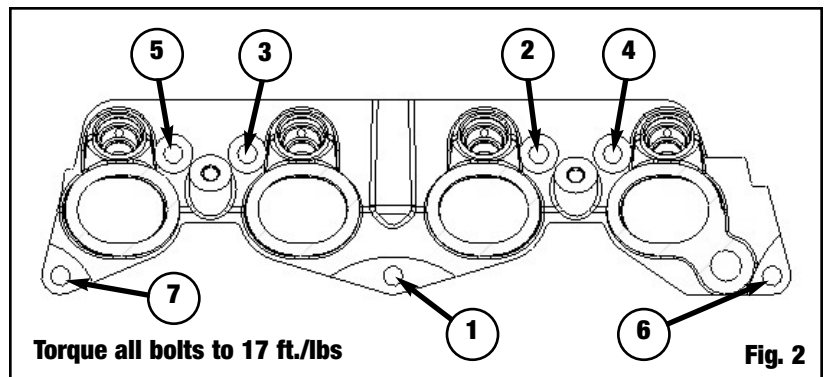
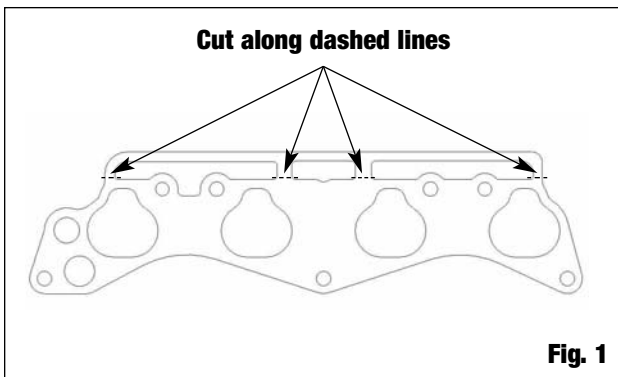
PLEASE study these instructions carefully before installing your new Edelbrock Intake Manifold Gasket. If you have any questions or problems, do not hesitate to contact our **Technical Hotline at: 1-800-416-8628**, from 7am-5pm, Monday-Friday, Pacific Standard Time or via e-mail at: **Edelbrock@Edelbrock.com**. Please fill out and mail your warranty card.

- **Description:** This is a replacement intake manifold gasket, which is supplied in the catalog #1500 turbo kit, as well as the intake manifold kits, #4754 & #4756.

KIT CONTENTS	
Qty.	Description
1	Intake Manifold Gasket

Installation Procedure

1. Remove the intake manifold as shown in your instructions for part #1500, #4754, or #4756.
2. Clean all gasket mating surfaces. Stuff paper towels into the open intake ports before cleaning to prevent any debris from entering the engine.
3. Re-install the intake manifold as shown in the #1500 or #4756 instructions, using the new gasket. If your vehicle was not equipped with air injection, trim the top edge of the gasket (**See Fig. 1**).
4. Torque all intake manifold bolts to 17 ft/lbs., following the sequence below (**See Fig. 2**).



Edelbrock Corporation
2700 California St.
Torrance, CA 90503
Tech Line: 1-800-416-8628
Office: (310) 781-2222
E-Mail: Edelbrock@Edelbrock.com